



Order-Number  
009 979 7XX-956



#### Application

Signal lantern for the usage as traffic signal on locks or bridges and as leading light for the marking of fairways, channels, harbor entries.

The **PINTSCH BAMAG** high intensity search light type **SW 360** is mainly used as long range daylight marker for locks, channels, ferries etc. but finds also application as a floodlight to illuminate all kind of traffic and/or road signs, respectively. The housing is waterproof and it is made of corrosion-resistant light metal alloy.

The optical system is an brightened aluminum mirror of 360 mm diameter. The light sources can be an incandescent lamp or metal vapor lamp, depends on application.

Range and distribution of light can be changed by selecting different sizes of lamps and by selecting different types of lenses. The searchlight is horizontally by  $\pm 180^\circ$  and vertically by  $\pm 20^\circ$  adjustable by means of an orientation device, which also serves to fasten the searchlight to the supporting structure.

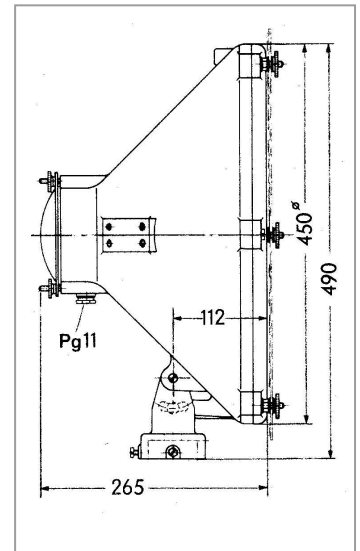


A09 979 700-954 (05/09 GB)

### Technical data

Nominal Voltage:	depends on used lamp bulb
Lamp bulb socket:	G6,35 ; other on request
Operating temperature:	-25° ... +55° C
Storage & Transport:	-30° ... +70° C
Rel. humidity:	max. 98%
Protection class:	IP54 (according DIN 40050)
Dimensions (Ø x h):	450 x 265 mm
Reflector:	Aluminum mirror
Lens material:	Glass
Housing material:	light metal alloy
Mounting bracket:	for pipe max. Ø 60 mm

### Dimensions



### Shipping data (approx.):

Net weight:	10 kg
Gross weight:	30 kg
Volume:	0.15 m <sup>3</sup>

### Photometric Data (stationary light intensity for white<sup>3</sup> light)

Halogen lamp	light intensity $I_0$ [cd]			Angle of divergence at 50% of $I_0$ Horizontal / Vertical [°] / [°]			Angle of divergence at 10% of $I_0$ Horizontal / Vertical [°] / [°]		
	Standard	Lens 25°	Lens 15°	Standard	Lens 25°	Lens 15°	Standard	Lens 25°	Lens 15°
12V-35W <sup>1</sup>	269.965	9.910	29.519	1.4 / 1.5	24.7 / 2.5	15.9 / 1.8	2.9 / 3.1	44.6 / 5.6	17.9 / 4.2
12V-50W <sup>1</sup>	569.287	20.521	60.051	1.4 / 1.5	24.6 / 2.4	15.9 / 1.7	2.9 / 3.1	44.6 / 5.5	17.9 / 4.0
12V-75W <sup>1</sup>	443.820	21.891	61.705	1.8 / 1.8	24.7 / 2.5	15.9 / 2.1	3.8 / 3.8	44.8 / 6.0	18.3 / 4.7
12V-100W <sup>1</sup>	807.109	35.181	100.476	1.9 / 1.6	24.6 / 2.6	15.9 / 2.0	3.6 / 3.2	44.6 / 5.6	18.2 / 4.4
24V-100W <sup>1</sup>	440.273	23.560	91.508	1.9 / 2.0	24.8 / 2.9	15.9 / 2.2	4.0 / 4.0	44.9 / 6.3	18.5 / 4.8
24V-150W <sup>1</sup>	726.234	43.171	117.619	2.0 / 2.1	24.6 / 2.9	15.9 / 2.3	4.1 / 4.5	44.7 / 6.4	18.6 / 5.1
24V-250W <sup>1</sup>	773.218	59.391	185.478	2.6 / 2.6	24.6 / 3.3	16.1 / 2.7	5.1 / 5.1	45 / 7.2	19.2 / 5.9
24V-250W <sup>2</sup>	1.168.000	TBD	TBD	3.0 / 2.3	TBD	TBD	5.5 / 4.5	TBD	TBD

- halogen lamp with vertical filament
- halogen lamp with horizontal filament – socket G6,35
- Multiply by 0.15 for green, by 0.25 red light and by 0.55 for yellow light

Alterations reserved