



Order-Number  
008 477 00x 631



#### Application

Usage on fixed Aids to Navigations.

- Long service life
- Maintenance-free
- Pb-Gel battery – up to 8 year service
- Solar module 55pW
- Integrated solar charge regulator
- Marine lantern from type LEDmin MKII – range up to 8 NM
- Housing of UV and seawater resistant Polyethylene
- Degree of Protection IP 65

#### Optional:

- Remote monitoring system CoDeSy MKII
- GPS Synchronization
- Radar reflector
- AIS

The **PINTSCH BAMAG** LED solar compact unit of the type **SKE 55pW** is a self-contained solar power supply with a LED marine lantern of the type **LEDmin MKII**. It is intended for use as a LED Aids to Navigation on fixed navigational aids. The LED marine lantern of the type **LEDmin MKII** covers a range up to 8 NM (ATF=0.741) and is available with a vertical light distribution angle of 8°, 10°, 18° or 30° (FWHM). The solar compact unit is available in red, green, white or yellow light colour. A maintenance-free Pb-Gel battery and a solar charge regulator are integrated into the housing. The solar module is mounted at an angle of 10°. All metallic parts and fittings are seawater resistant. Air vents ensure a sufficient air exchange and avoid condensation of water inside the housing.



A08 477 000-954 (01/09 gb)

## Technical data

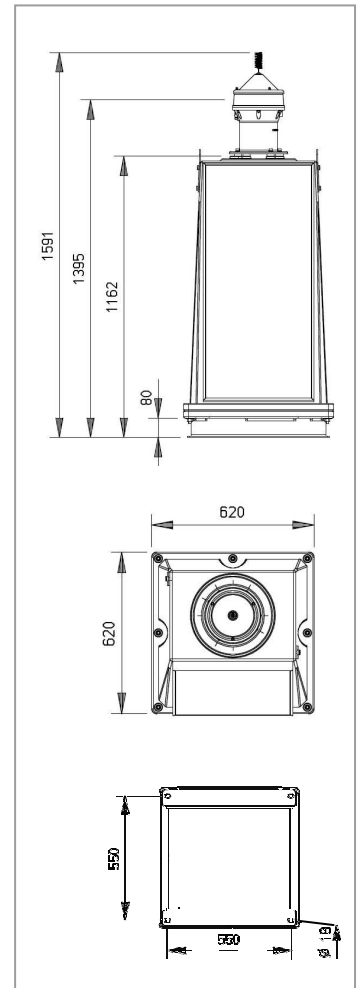
Nominal voltage:	12 V <sub>DC</sub>
Battery:	Pb-Gel VRLA battery
Battery rating (C <sub>100</sub> at 20°C):	60Ah / 85Ah / 130Ah or 150Ah
Battery service life:	up to 8 years
Solar module:	55pW
Operating temperature:	-25° ... +50° C
Storage temperature:	-40° ... +50° C
Rel. air humidity:	max. 98%
Degree of protection:	IP65 (acc. DIN 40050)
Dimensions (l x b x h):	620 x 620 x 1591 mm
Weight:	60 – 80 kg, according design

## LED – marine lantern LEDmin MKII\*

Power consumption:	2-14 W (restricted to geographical site of operation)
Max. light intensity I <sub>0</sub> :	up to 500 cd (for white colour)
Light intensity:	10-100% adjustable
Range of light:	up to 8 NM (T=0,741)
Vertical angle (FWHM):	8°, 10°, 18° or 30°
Colour of light:	red, green, white und yellow according IALA (E-200-1, Optimum)

\* for detailed technical data review datasheet of LED marine lantern LEDmin MKII

## Dimensions



Alterations reserved