

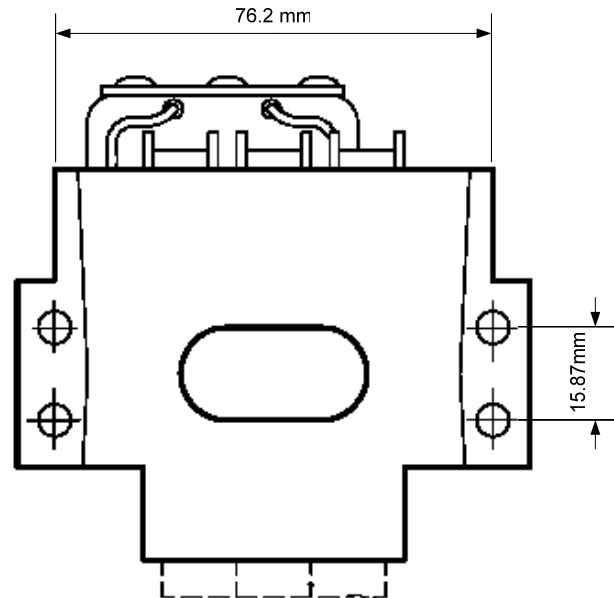
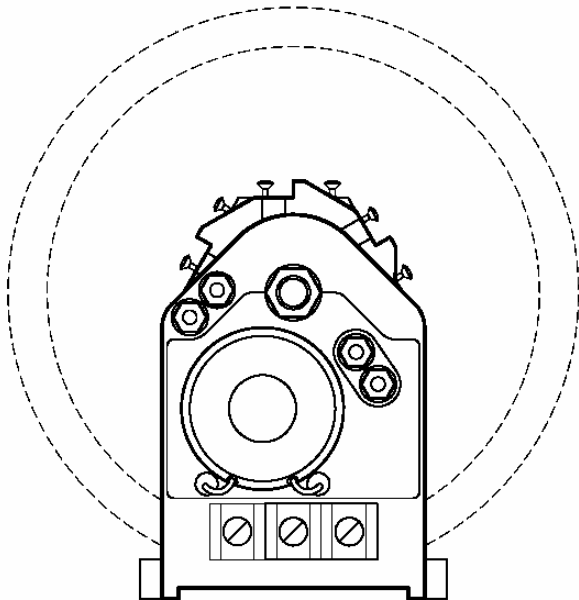


The Lampchanger was designed to emphasize simplicity and reliability.

It is designed to operate with any solid-state flasher which can provide filament failure sensing and voltage pulses to actuate the rotary solenoid. The rotary solenoid indexes the lamp turret by a spring wound ratchet mechanism.

The lamp turret will support six S-8 or S-11 marine signal lamps or halogen lamps with prefocus collars and will locate the filament consistently within operating position horizontally and vertically within 0.8mm of true centre.

It can be mounted in any position and is not adversely affected by the normal shock and vibration encountered in buoy service.



Features:

- gold plated contacts
- terminal connectors - tin electroplated brass
- die cast aluminium frame
- frame finish - polyester powder coat
- terminal screws - stainless steel
- turret - injection molded high strength plastic

- Meets or exceeds the requirements of US Coast Guard Specification number 195 including vibration test at 5G, shock test at 20G, salt spray and immersion.

- Factory Mutual (FM) approved for use in Class I, Division II Group C&D hazardous locations when used with FM approved Flasher in an FM approved lantern.

- Optional - Position Sensing Function.