

### Assembly instructions for brake function max.air gap

#### Adjustment note:

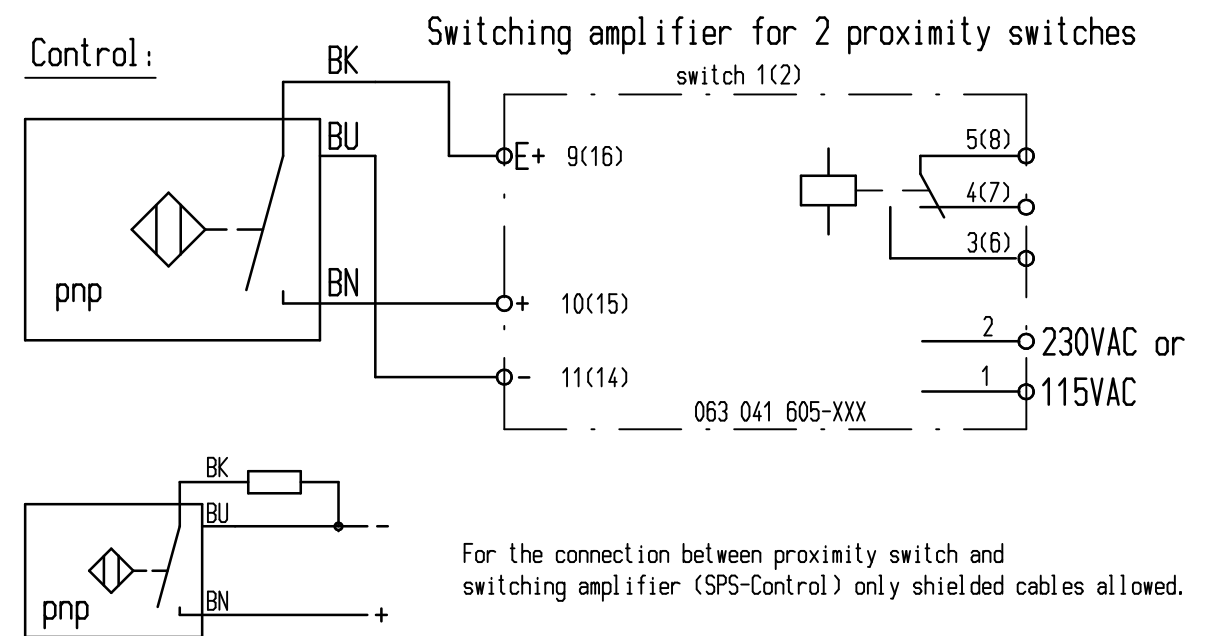
Adjustment of the operating distance takes place with the brake dismantled without helical compression springs. Spacers with the thickness of the maximum air gap +0,2mm must be placed between the coil body and armature plate.

Adjustment takes place by turning the adjusting screw A. The switching off point of the proximity switch is adjusted, so that the switching hysteresis is within the range of the maximum air gap.

The adjusting screw A must be turned in the direction of the proximity switch until the same switches on. The adjusting screw must subsequently be turned away from the proximity switch until it switches off.

Only this switching off point is adjusted.

The adjusting screw A must subsequently be locked with nut B.



Maße ohne Toleranzangabe: ISO 2768-mK		Oberflächen: DIN ISO 1302		Maßstab 2:1	Gewicht
Datum		Name		<b>Assembly instructions</b> <b>Proximity switch-Grp.</b> Bi 2 U-M12 - max.air gap	
Bearb.	07.09.2001	Thonen			
Gepr.	07.09.2001	Gaertner			
Norm					
CAD: C: A01154000_956_THD_SZN		A3		a01 154 000-956	
Zust.		Änderung		Ers. f.:	
Datum		Name		Ers. d.:	
Urspr.				Blatt 01	
				01 Bl.	