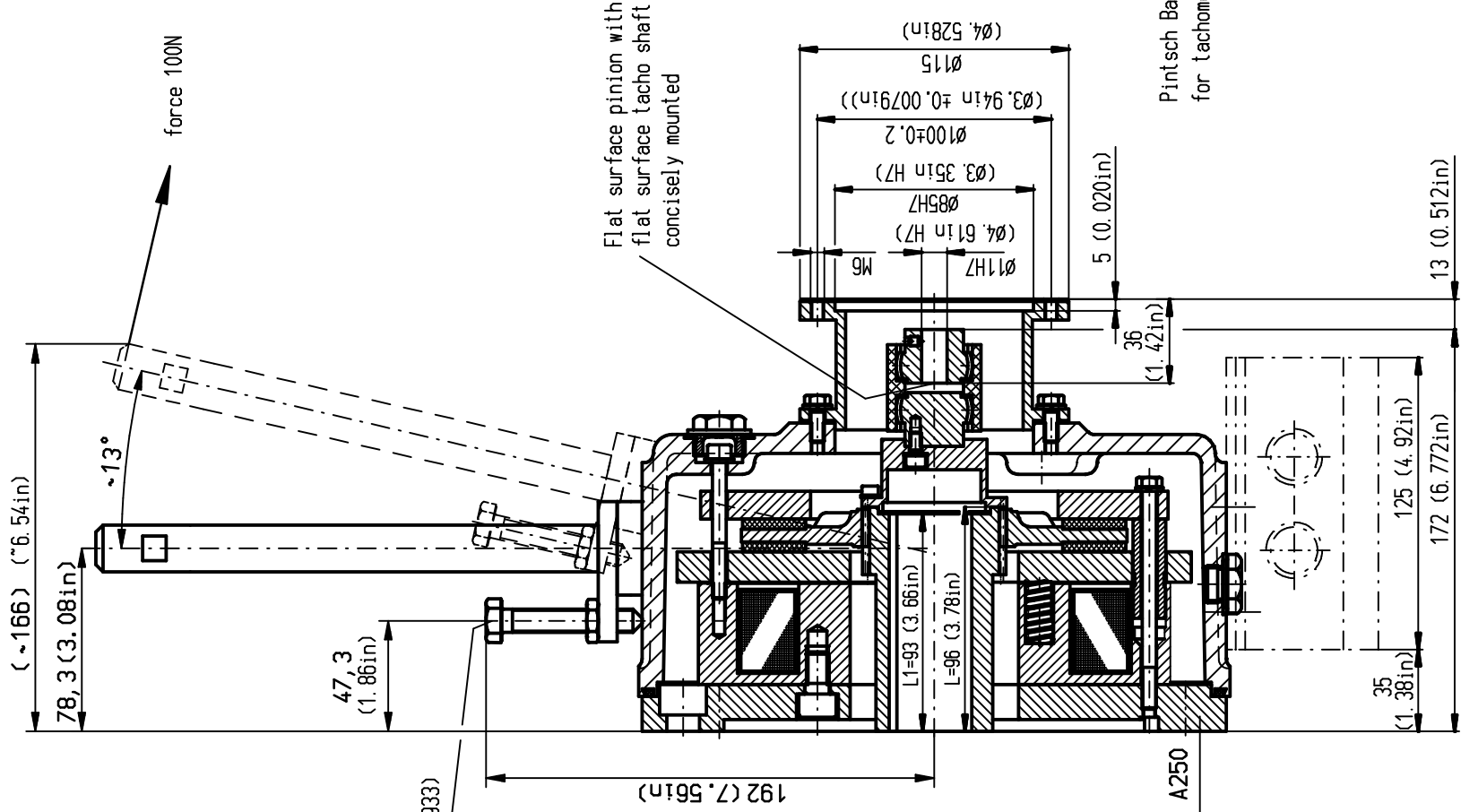
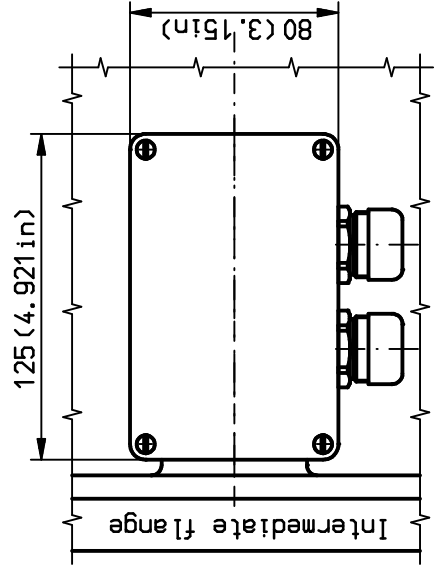


Detail X



screw M10x60
DIN EN 24017 (DIN 933)

Flat surface pinion with
flat surface tachometer shaft
concisely mounted

Intermediate flange A250

Pintsch Bameg tachometer mounting = T2
for tachometer with EURO-flange

Junction box assembly 001 029 5XX-249
Standard type: Left hand mounting
(as shown)
Special type: Right hand mounting

Cable gland compatible with DIN 89280
Enclosure type IP 68
Standard: cable ø 12-14,5 mm without
electromagnetic shielding
Special types:
-seal cartridge for other cable ø
-according to customers specification
-equipment for cable
with electromagnetic shielding

subject to change without notice

Hersteller für		Ausgabe Datum		Maßstab 1:2		Gewicht	
Name		Überflächennorm DIN ISO 1302		Semiconductor electromagnetic		KFB 16	
Teilenummer: ISO 2768-mS		DaLun		Norm		flange A250-K-tach-HH	
Bearb. 21.09.2006 WJ		Gepr. 12.10.2006 TH		A01 076 280-951		Blatt 01	
DIN C 200883.02		PINTSCH BAMA		Ers. f.:		Ers. d.:	
Zust.		Anderung		DaLun		Name Urspr.	