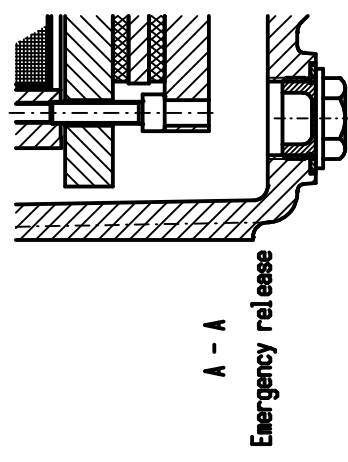
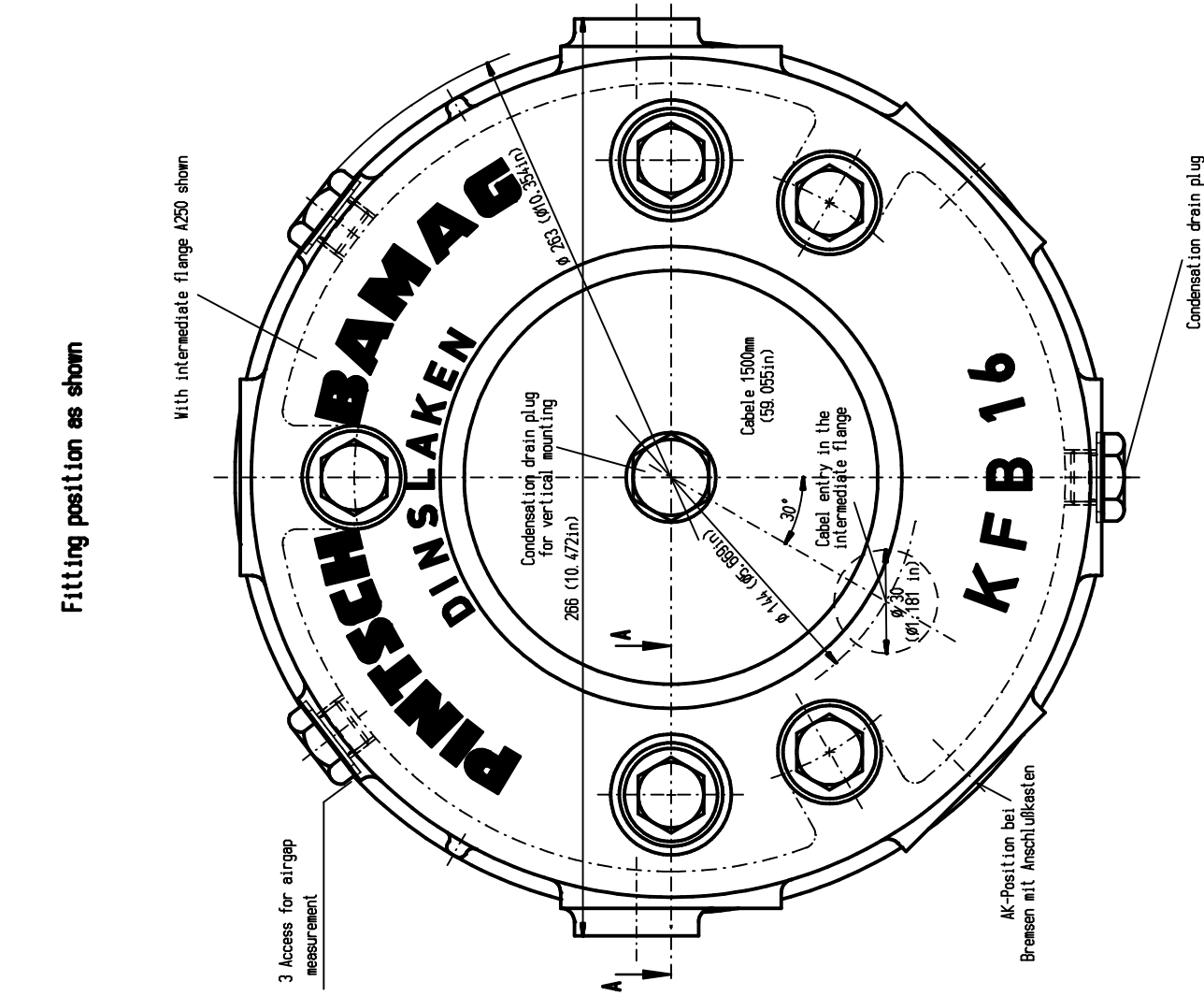
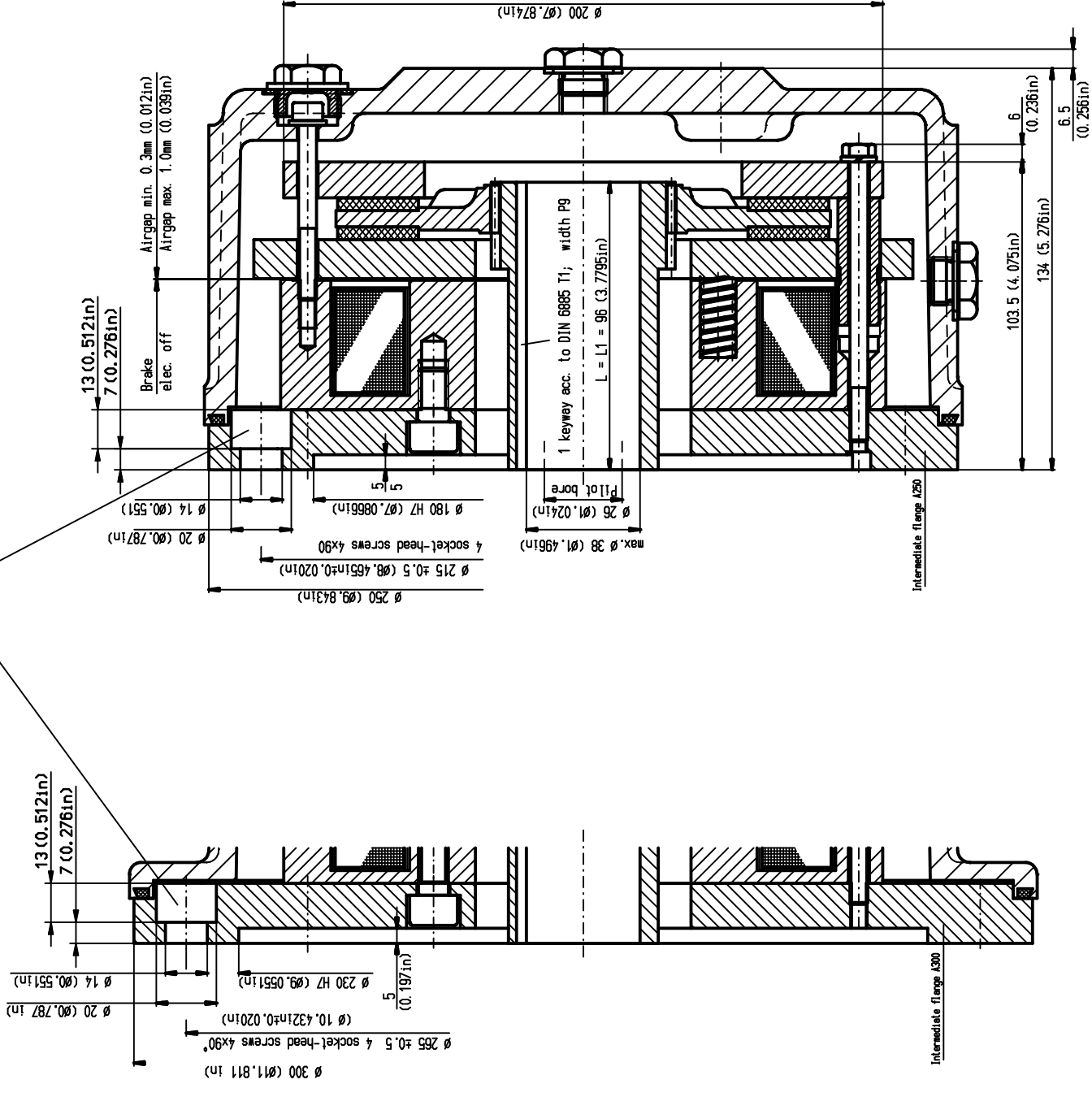


shown turned at 45°



Enclosure with housing IP67 IEC 60529
 The enclosure is reached only if the mounting holes for the intermediate flange are blind-holes. With through-holes suitable seals must be planned by the user.

Subject to change without notice

Fitting position as shown

With intermediate flange A250 shown

3 Access for airgap measurement

AK-Position bei Bremsen mit Anschlußkasten

Condensation drain plug

A - A
 Emergency release

Brake type	KFB 16	100 lb	118,010 lb-ft
Switching brake torque (dynamic)	140 lb	103,238 lb-ft	
Max. torque (static)	120 lb	88,587 lb-ft	
Max. capacity (with flange)	001 084 800-950	001 084 800-950	
Max. weight of inertia	25 kg	55,115 lb	
Standard voltage	110VAC		
Special voltage			
Coil capacity	128 V		0,172 hp

Veränderung	Ursprung	Del/Los	Werk	Blatt
				01
				02
				03
				04
				05
				06
				07
				08
				09
				10
				11
				12
				13
				14
				15
				16
				17
				18
				19
				20
				21
				22
				23
				24
				25
				26
				27
				28
				29
				30
				31
				32
				33
				34
				35
				36
				37
				38
				39
				40
				41
				42
				43
				44
				45
				46
				47
				48
				49
				50
				51
				52
				53
				54
				55
				56
				57
				58
				59
				60
				61
				62
				63
				64
				65
				66
				67
				68
				69
				70
				71
				72
				73
				74
				75
				76
				77
				78
				79
				80
				81
				82
				83
				84
				85
				86
				87
				88
				89
				90
				91
				92
				93
				94
				95
				96
				97
				98
				99
				100

Scale: 1:1
 Drawing: A01 076 200-951
 Date: 18.08.2008