

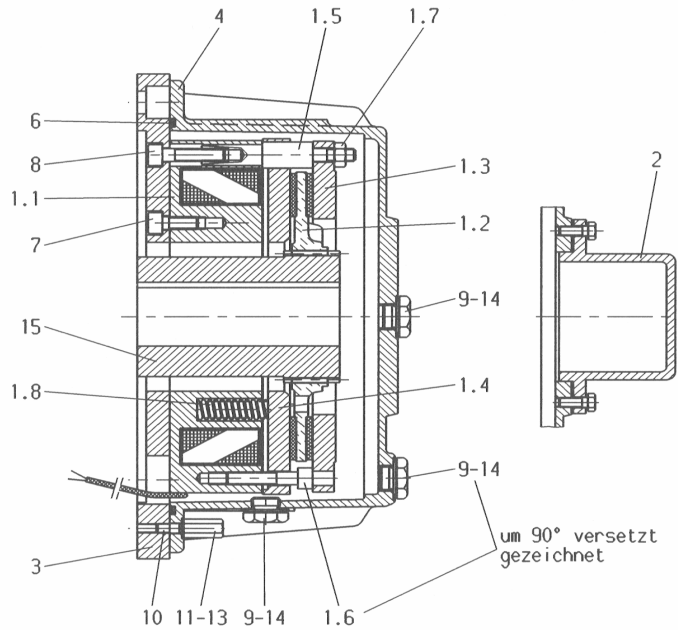
**Spare part list
Electromagnetic Spring-Set-Brake
Series SFB 160**



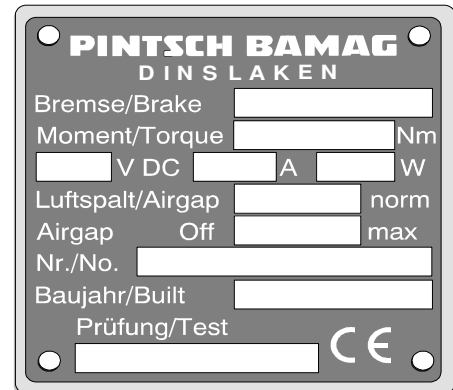
Please supply the following details when ordering spare parts:

- Dimension of the brake (type)
- Brake serial number
- Description of the spare part
- Quantity required
- Id.-No. of the spare part

Type, serial number of the brake and the coil voltage are specified on the rating plate.



Rating plate



)* pos.	description	qty.	dimension / standard	Kg/piece	P.B. Id.-No.
X 1.1.1	coil body group 110V DC	1	D=424 188x88 110 V DC	67,00	000 589 100-214
X 1.1.2	coil body group		D=424 188x88	67,00	type specific
1.2	friction lining group	1	D 365/d 140 x 45 28z	4,50	000 589 200-214
1.3	brake flange	1	D 424/d 266 x 24	12,00	000 589 300-214
X 1.4.1	armature plate	1	D 428/d 188 x 29,3	25,00	000 589 400-214
X 1.4.2	armature plate group f. 1 MS/PS		D 428/d 188 x 29,3	25,00	type specific
X 1.4.3	armature plate group f. 2 MS/PS		D 428/d 188 x 29,3	25,00	type specific
1.5	bolt	6	D 24 x 153	0,33	000 589 500-214
1.6	socket head screw	2	M 12 x 50 DIN 912 L.W.		031 411 870-000
1.7	self-locking hexagon nut	6	VM 16 DIN 980		035 075 781-000
1.8	pressure spring	18	D 23,7 x 91,8		047 010 023-003
2.0	cover group	1	D 120 x 65		269 300 004-000
X 3.0.1	adaptor flange	1	standard flange A550	33,00	000 588 500-214
X 3.0.2			standard flange A660	61,00	000 588 600-214
X 3.0.3			standard flange A800	90,60	000 588 700-214
X 3.0.4			special flange		type specific
X 4.0.1	housing	1	D 540 x 202	36,00	000 586 200-214
X 4.0.2			special housing		type specific
6	O-ring	1	445 x 5		042 572 885-000
7	socket head screw	4	M 12 x 20 DIN 912		031 411 200-000
8	socket head screw	6	M 12 x 50 DIN 912		031 411 212-000
9	lock bolt	6	AM 16 x 1,5 DIN 7604		032 410 210-000
10	stud	8	M10 x 22 DIN 939		033 020 809-000
11	cup nut	8	M10 x 36		035 620 959-000
13	washer	8	A10 x 16 DIN 7603		042 524 046-000
14	washer	6	A16 x 20 DIN 7603		042 524 064-000
15.1	hub (pinion)	1	rough drilled D=46	21,00	000 585 200-214
15.2	hub (pinion)		standard cylindrical		type specific
16	anti condensation heater	1	230V AC		000 799 100-214

)*: For ordering spare parts marked with X, please specify the serial number of the brake printed on the rating plate.

Note: Positions with three digits (f.e. 1.2.3) are possible variants. The installed variant depends on the type of the brake.

Additional equipment: To order spare parts for additional equipment like side-fitting connection box, micro- or proximity switch, it is necessary to specify the serial number of the brake.

Datum 16.12.2003	erstellt EVA / Thonen	geprüft EVA / Tho	ÄM-Nr. A / 4-Tho03103	a00 588 300-958
---------------------	--------------------------	----------------------	--------------------------	------------------------