

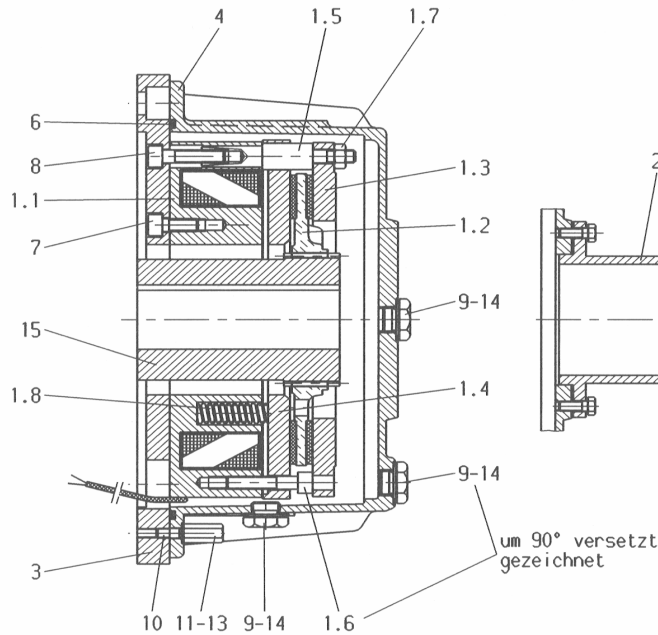
**Spare part list**  
**Electromagnetic Spring-Set-Brake**  
**Series SFB 400**



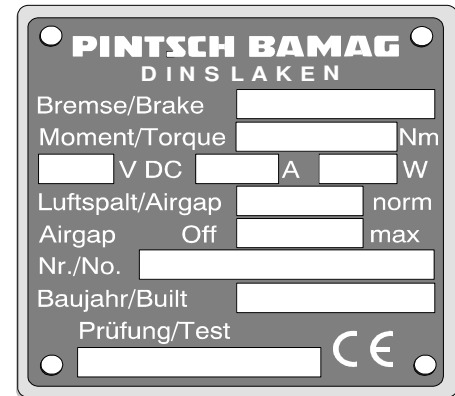
**Please supply the following details when ordering spare parts:**

- Dimension of the brake (type)
- Brake serial number
- Description of the spare part
- Quantity required
- Id.-No. of the spare part

Type, serial number of the brake and the coil voltage are specified on the rating plate.



Rating plate



)*	pos.	description	qty.	dimension / standard	Kg/piece	P.B. Id.-No.
X	1.1.1	coil body group 110V DC	1	D=540 220x110 110 V DC	147,00	000 587 200-214
X	1.1.2	coil body group		D=540 220x110	147,00	type specific
	1.2	friction lining group	1	D 463/d 140 x 60 28z	10,50	000 587 300-214
	1.3	brake flange	1	D 540/d 338 x 32	28,00	000 587 400-214
X	1.4.1	armature plate	1	D 544/d 220 x 42,3	60,00	000 587 500-214
X	1.4.2	armature plate group f. 1 MS/PS		D 544/d 220 x 42,3	60,00	
X	1.4.3	armature plate group f. 2 MS/PS		D 544/d 220 x 42,3	60,00	
	1.5	bolt	12	D 30 x 202 M20	0,74	000 587 600-214
	1.6	socket head screw	2	M 12 x 65 DIN 912 L.W.		031 411 879-000
	1.7	self-locking hexagon nut	12	VM 20 DIN 980		035 075 787-000
	1.8	pressure spring	34	D 23,7 x 91,8		047 010 023-003
	2.0	cover group	1	D 120 x 65		269 300 004-000
X	3.0.1	adaptor flange	1	standard flange A660	60,80	000 670 800-214
X	3.0.2			standard flange A800	90,00	000 587 000-214
X	3.0.3			special flange		type specific
X	4.0.1	housing	1	D 660 x 263	30,00	000 586 300-214
X	4.0.2			special housing		type specific
	6	O-ring	1	559,1 x 6,35		042 572 942-000
	7	socket head screw	4	M 16 x 35 DIN 912		031 411 290-000
	8	socket head screw	12	M 16 x 60 DIN 912		031 411 300-000
	9	lock bolt	6	AM 16 x 1,5 DIN 7604		032 410 210-000
	10	stud	12	M10 x 25 DIN 939		033 070 817-000
	11	cup nut	12	M10 x 36		035 620 959-000
	13	washer	12	A10 x 16 DIN 7603		042 524 046-000
	14	washer	6	A16 x 20 DIN 7603		042 524 064-000
	15.1	hub (pinion)	1	rough drilled D=46	21,00	000 585 200-214
	15.2	hub (pinion)		standard cylindrical		type specific
	16	anti condensation heater	1	230V AC		001 100 600-214

)\*: For ordering spare parts marked with X, please specify the serial number of the brake printed on the rating plate.

**Note:** Positions with three digits (f.e. 1.2.3) are possible variants. The installed variant depends on the type of the brake.

**Additional equipment:** To order spare parts for additional equipment like side-fitting connection box, micro- or proximity switch, it is necessary to specify the serial number of the brake.

Datum 16.12.2003	erstellt EVA / Thonen	geprüft EVA / Tho	ÄM-Nr. A / 4-Tho03103	<b>a00 579 900-958</b>
---------------------	--------------------------	----------------------	--------------------------	------------------------