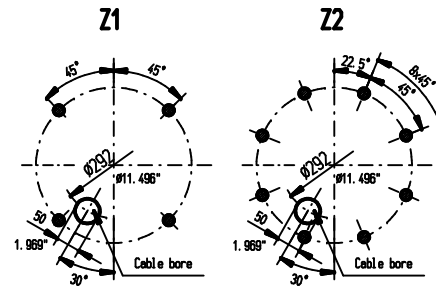
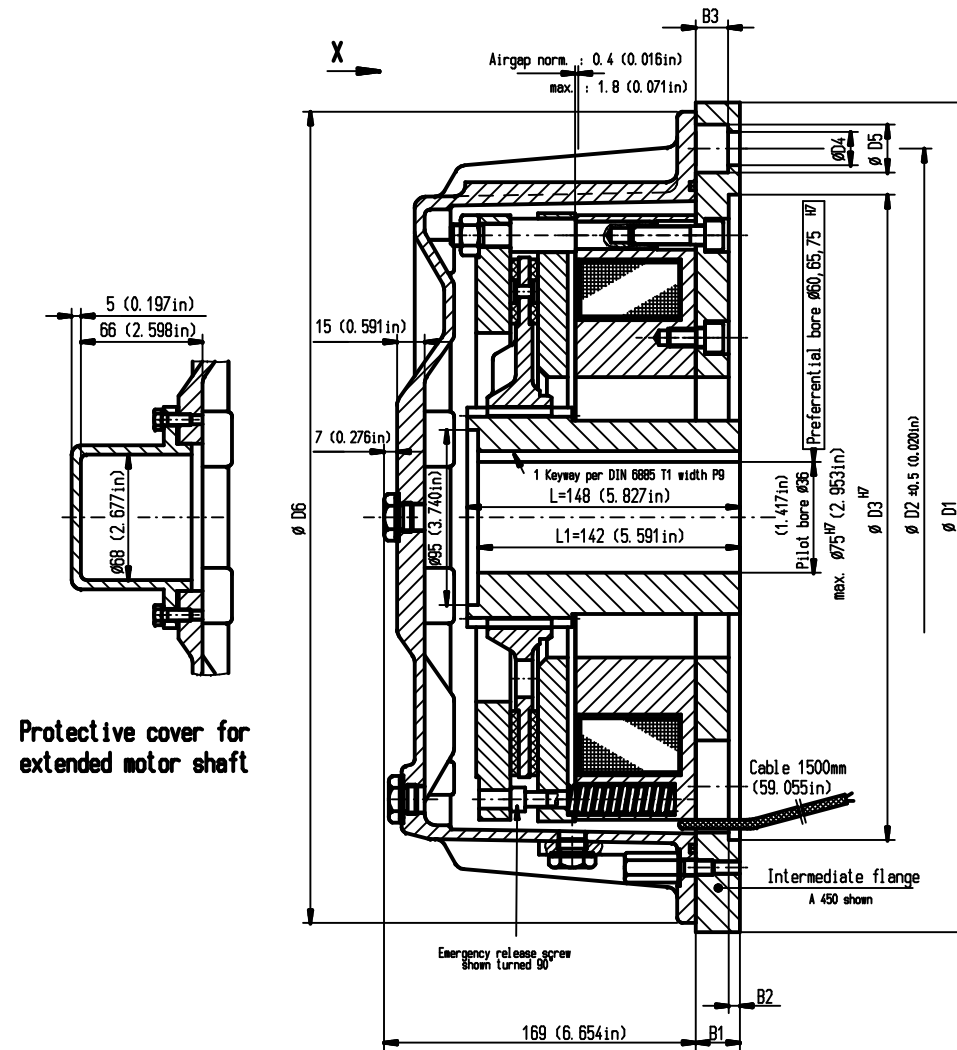


Intermediate flange - bolt pattern
View X

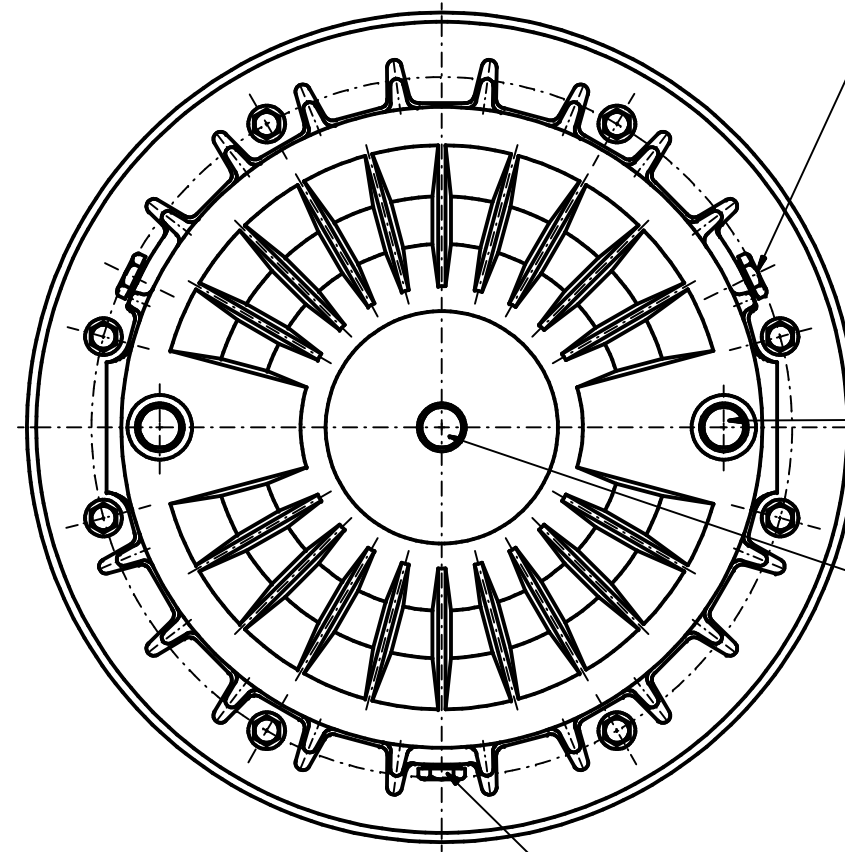


Intermediate flange		Flange Dimensions											
Size	Part#	Unit	D1	D2	D3	D4	D5	D6		B1	B2	B3	
A400	000 721 300-214	mm in	400 15.748	350 13.780	300 11.810	18 0.709	26 1.024	396 15.590		Z1	22 0.866	6 0.236	17.5 0.689
A450	000 583 300-214	mm in	450 17.717	400 15.748	350 13.780	18 0.709	26 1.024	440 17.323		Z2	24 0.945	6 0.236	17.5 0.689
A550	000 583 400-214	mm in	550 21.653	500 19.685	450 17.717	18 0.709	18 0.709	440 17.323		Z2	24 0.945	6 0.236	0
A660	000 666 300-214	mm in	660 25.984	600 23.622	550 21.654	22 0.866	22 0.866	440 17.323		Z2	30 1.181	7 0.276	0

Brake shown in standard mounting position



Protective cover for
extended motor shaft



Access for airgap measurement

Access for emergency release screws
2x M8 180° apart

Condensation drain plug
for vertical mounting

Condensation drain plug

Subject to change without notice

Brake type	SFB 63	
Switching brake torque (dynamic) per DIN VDE 0580	630 Nm	464.000 lb-ft
Coil plating of rolling per VDE 0528	S 1	S 1
Work capacity of the brake Diagram #	000 560 300-960	000 560 300-960
Mass moment of inertia	0.036 kgm ²	0.858 lb-ft ²
Weight with flange A 550	106 kg	233.690 lb
Standard voltage	110V DC	110V DC
Special voltage		
Coil capacity	307W	0.412 hp

Special flange, bore and voltage
available additional cost.

Customer must follow all applicable safety
and installation regulations

Verwendbar für		Anzahl Stück		Maßstab 1:2		Gewicht	
Teilenummer 130 2708-01		Charakteristik DIN 150 1302		Sonder-protected electromagnetic-brake SFB 63		Standard flange	
A 4-Vej 03002		20.02.2003		000 585 950-951		Blatt 01 01 Bl	
Zust.		Änderung		Urspr.		Ers. f.:	